

Vibro Bran Finisher

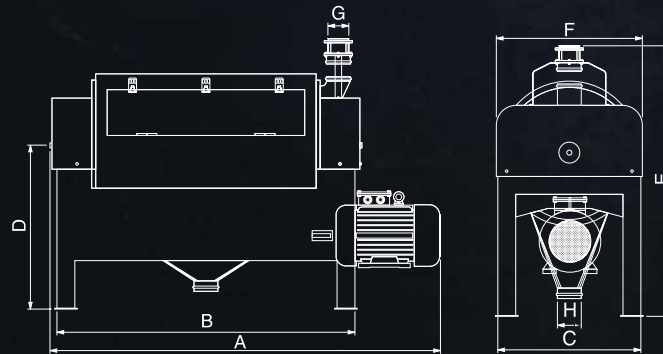
GVFK



Excellent Milling Properties...

WORKING PRINCIPLES

It is used in the sifting of difficult flow type materials. It has new design of eccentric shaft system to obtain minimum vibration on the floor.



Type	Technical Features				Volume (m ³)	Dimensions(mm)								Weight (kg)
	Capacity (t/h)		Power (kW)			A	B	C	D	E	ØF	ØG	ØH	
	Flour	Bran	Flour	Bran										
GVKF 560/1000	0.5	1.6	5.5	7.5	1.8	1863	1545	765	805	1689	745	120	120	575
GVKF 560/1200	0.7	3	11	15	2.5	2113	1795	795	805	1840	745	120	120	750

