

Flour Bagging Machine With Double Weigh Hopper & Four Stations



Excellent Milling Properties...

CAPACITY INFORMATION:

While it varies according to the product to be bagged and the tolerance required, the values relating to the packaging speed below shall provide some information about the capacity of the system.

- 9 ton/hour in 10 kg bagging
- 20 ton/hour in 25 kg bagging
- 37,5 ton/hour in 50 kg bagging

The tolerance per package varies between ± 0.15 kg in the 50-kg packaging. In addition to this, it is undertaken to be operated with 37.5 ton/hour capacity in the products such as flour or in similar characteristics with the average error share per package.

PACKAGING SET VALUES

The package filling weights could be preferred between 10 - 25 - 50 kg by the operator.



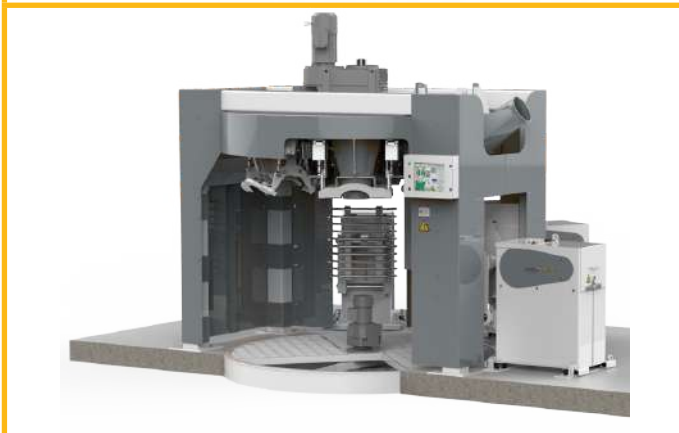
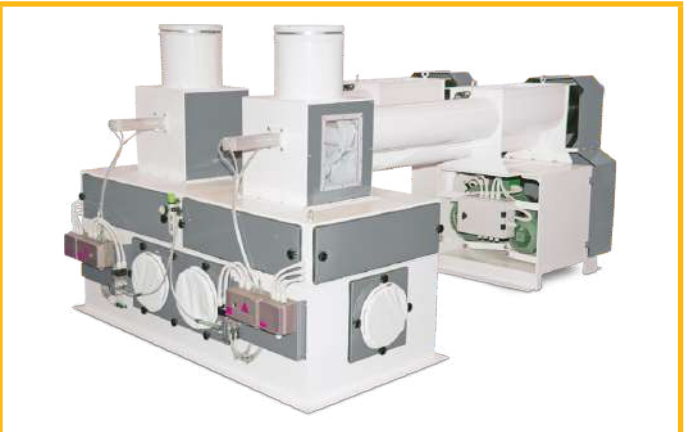
Flour Bagging Machine With Double Weigh Hopper & Four Stations

Product Data Sheet



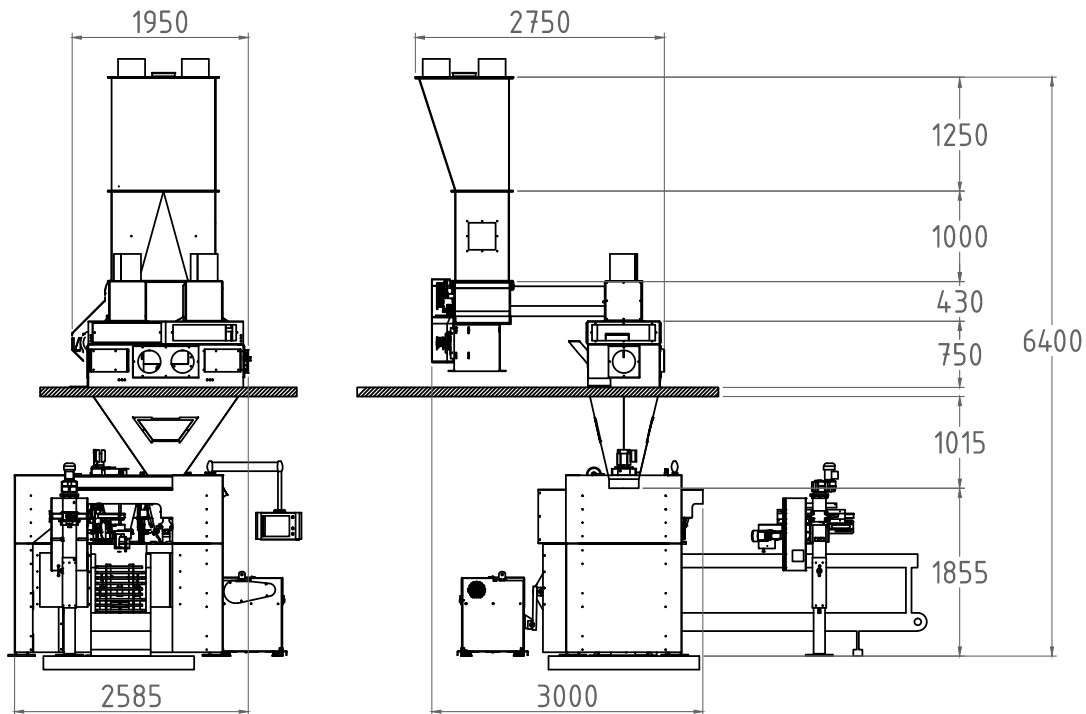
Flour Bagging Machine With Double Weigh Hopper & Four Stations

Product Data Sheet



Flour Bagging Machine With Double Weigh Hopper & Four Stations

Product Data Sheet



TECHNICAL FEATURES

Type of Product to Be Packed	Flour
Density (Flour)	0,55 kg/m ³
Maximum Weighing Weight	2 x 55 Kg
Weighing Range -Options	10 - 25 - 50 Kg
Weighing Accuracy	±% 0,3
Top Bunker Capacity	1.645 Liter
Platter Capacity	2 x 110 Liter
Output Capacity 10 Kg	9,00 Ton/Hour
Output Capacity 25 Kg	20,00 Ton/Hour
Output Capacity 50 Kg	37,50 Ton/Hour
Weighing Units 10 Kg	900 Pack./Hour
Weighing Units 25 Kg	800 Pack./Hour
Weighing Units 50 Kg	750 Pack./Hour
System Pressure	6 - 8 Bar
Air Supply (m ³ /Min)	40 m ³ /Min
Power Supply (VAC) (+5% - 10%)	400 VAC / 50-60 Hz.
Electricity consumption	25 kW/Hour
Weight	6365 Kg